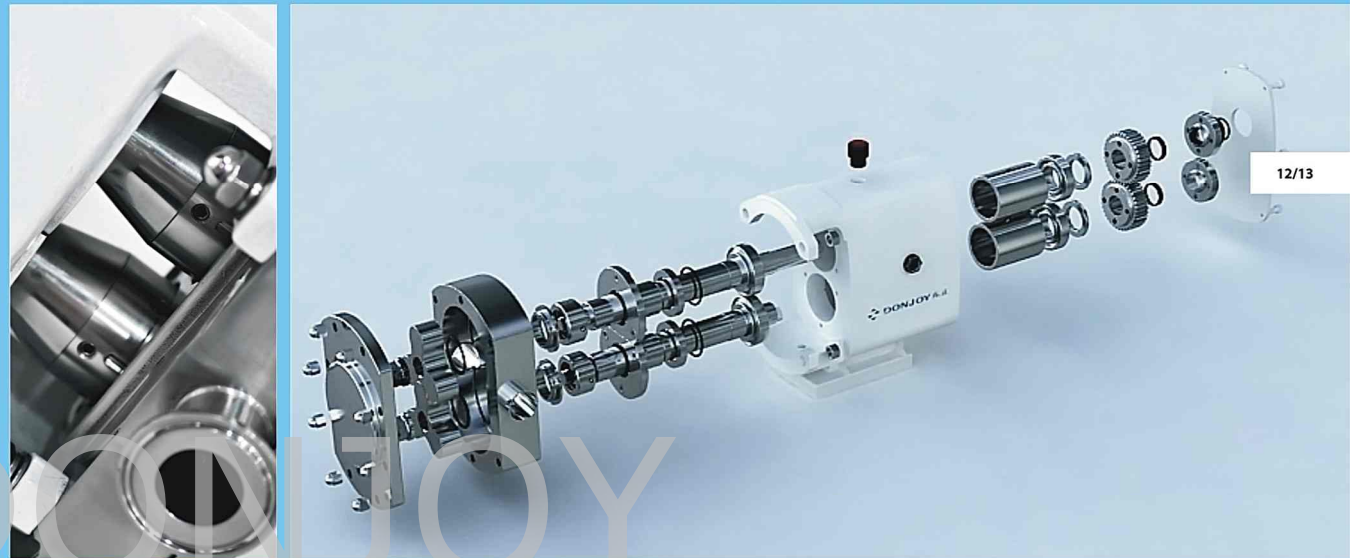


.01

卫生凸轮泵(转子泵) HYGIENIC LOBE PUMP (ROTOR PUMP)



VALVE PUMP FITTING

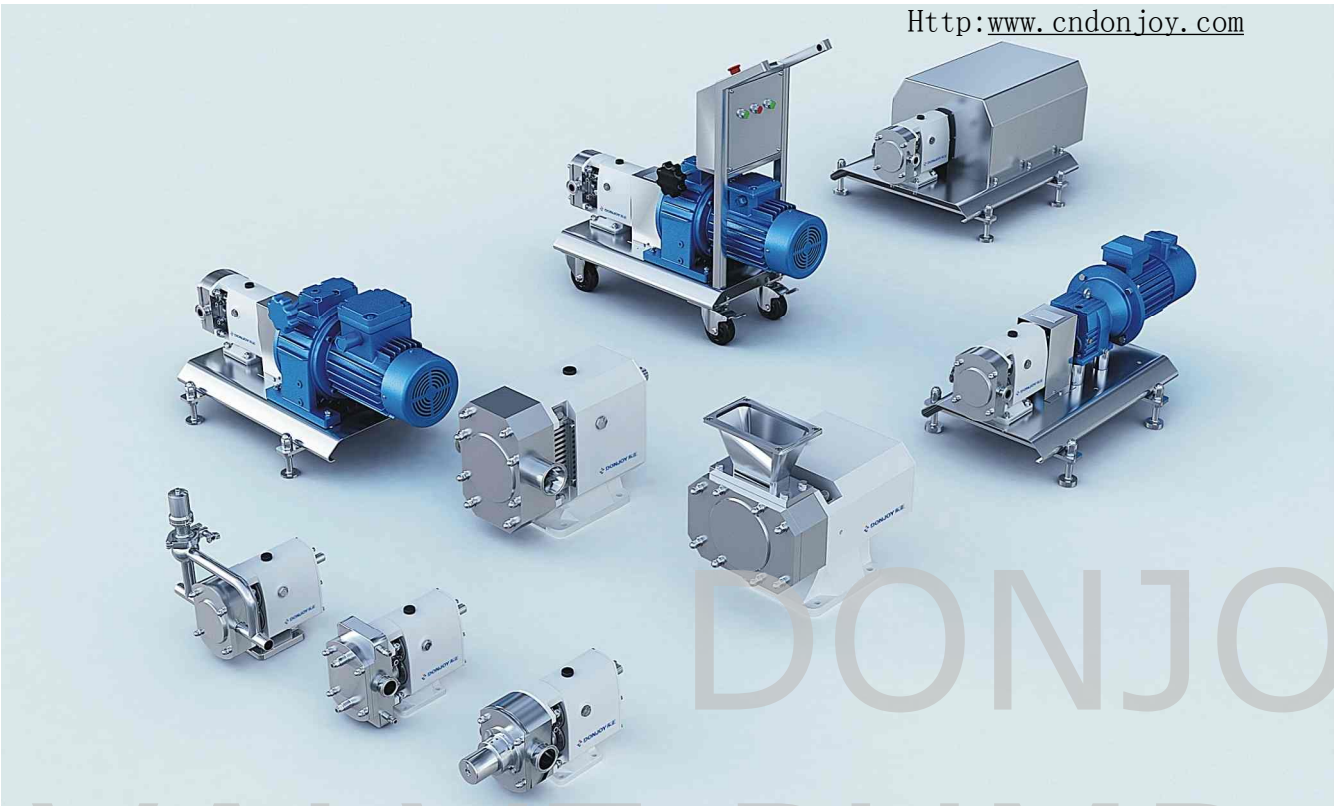
01 02 03 04

HYGIENIC LOBE PUMP (ROTOR PUMP) ▶

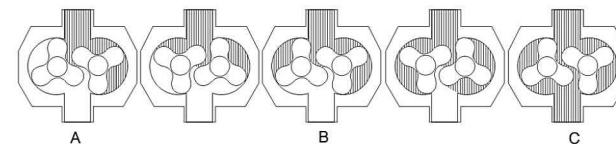
CENTRIFUGAL PUMP (OPEN IMPELLER, CLOSE IMPELLER) ▶

SELF-PRIMING PUMP(CIP PUMP) ▶

BLENDER (MIXING PUMP) ▶

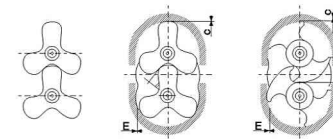


工作原理图
Drawing of operating principles



- A. 由于转子旋转，两个转子的间距增大导致吸入端的空间也增大由此引起部分真空，从而把流体吸入泵腔中。
 - B. 由于轴旋转的原理，两个转子都是不断的加载空气，液体被移到传送端，转子间的间隔和泵体两壁间的间隔保证了空间总是适时被加载。
 - C. 泵腔完全加载后，液体通过转子叶片甩出并与两壁间的空间相反。
- A. As the lobes rotate, the space on the suction side increases as one lobe is distanced from another, thus creating a partial vacuum which draws the fluid into the pump chamber.
 - B. As they are rotated by the shafts, each lobe is consecutively filled and the fluid is displaced to the delivery side. The small gaps between the lobes and between the lobes and the walls of the pump body ensure that the spaces are duly filled.
 - C. The pump housing is completely filled and the fluid escapes through the teeth of the lobes and is forced against the walls of the spaces, which contributes to the pump action.

转子间隙公差 Rotor gap tolerance



型号 Model	C±0.05 mm	D±0.05 mm	E±0.05 mm	型号 Model	C±0.05 mm	D±0.05 mm	E±0.05 mm
TUR-20	0.20	0.20	0.40	TUR-60	0.35	0.30	0.60
TUR-23	0.20	0.20	0.40	TUR-70	0.45	0.40	0.95
TUR-25	0.25	0.20	0.40	TUR-80	0.45	0.40	0.95
TUR-30	0.25	0.25	0.50	TUR-100	0.55	0.45	1.10
TUR-35	0.30	0.25	0.50	TUR-125	0.70	0.50	1.30
TUR-55	0.30	0.25	0.60				

应用

Applications

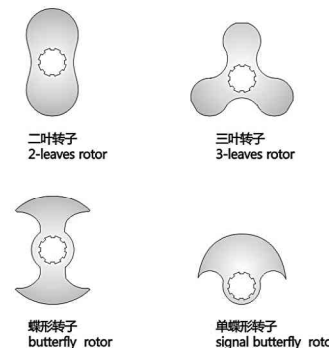
- 该泵是一个正位移凸轮转子泵，是根据3A食品卫生标准设计的。
- 该标准对设备过程都有最严格的卫生要求。
- 该泵非常适合于食品加工，化妆品和制药工业中的对粘性和低粘性介质的传输。
USA 3A-02-10/NO.1579，密封FDA.177.2600认证。
- The pump is a positive displacement lobe rotor pump designed according to
- 3A standard with a very strict hygienic requirements to equipment and processes.
- The pump is ideal for the transfer of viscous as well as low-viscosity media in the food-processing, Cosmetics and pharmaceutical industries.

材质

Materials

- 熔模铸造泵体 AISI 316L (1.4404) / AISI 304 (1.4301)
 - 垫圈(标准) EPDM根据FDA 177.2600
 - 机械密封圈(标准) SIC/SIC/EPDM
 - 内表面处理 Ra≤0.6μm
 - 外表面处理 镜面抛光
- Investment casting body: AISI 316L (1.4404) / AISI304(1.4301)
 - Gaskets (standard): EPDM according to FDA 177.2600
 - Mechanical seal(Sandard): SIC/SIC/EPDM
 - Internal surface finish: Ra≤0.6 μ m
 - External surface finish: mirror polish

法兰连接转子泵
Lobe pump with flange connection



工作原理

Operating principles

- 该泵基本上包括两个凸轮转子，它们在泵壳内旋转，彼此不会相互碰到。
- 当转子旋转时，凸轮和泵壳之间的间隙会不断的被充满物料，物料被驱动到排出口，输送一定量的物料。
- 由于凸轮和泵壳之间公差的调整，抽取过来的物料形成一个连续的真空，从而保证泵的有效抽吸。
- The pump basically consists of two lobe rotors which rotate inside the casing without touching each other.
- As the rotors rotate, the space between the lobes and the casing is successively filled with the product which is driven the discharge nozzle displacing a fixed amount of product.
- The pumped product forms a continuous stream due to the adjusted tolerances of the lobes and the pump casing thus ensuring an efficient pumping.



水平式TUL系列
Horizontal TUL Series



垂直式TUR系列
Vertical TUR Series



不同款式的转子
Different rotor shapes

设计和特点

Design and features

- 水平式TUL
- 垂直式TUR
- 裸轴结构
- 蝶形转子(标准)
- 卫生设计
- 卫生机械密封圈, 内部装配
- 容易清洁和维护
- 连接: 卡箍(标准)
- 适用于CIP清洗和SIP杀菌
- Horizontal TUL
- Vertical TUR
- Bare-shaft construction.
- Butterfly rotor(standard)
- Hygienic design of the attachment of the rotors.
- Sanitary mechanical seal, internal assembly.
- Easy cleaning and maintenance.
- Connections: Clamp (standard).
- Applied to CIP cleaning and SIP sterilization

技术规格

Technical specifications

- 最大流量: 90m³/h / 395GPM
- 最高压力: 12bar / 174 PSI
- 最高温度: 150°C / 302°F
- 最高转速: 1450 rpm
- Max.flow: 90m³/h / 395GPM
- Max.pressure: 12bar / 174 PSI
- Max.working temperature: 150°C / 302°F
- Max.rev: 1450 rpm

宽电压电机 Wide input range motor

功率(kW)	电压备注	功率(kW)	电压备注
Power(kw)	voltage	Power(kw)	voltage
0.75	210V~230V/50HZ	4	360V~400V/50HZ
1.1	360V~400V/50HZ	4.5	630V~690V/50HZ
1.5	420V~460V/60HZ	7.5	420V~460V/60HZ
2.2		11	
3		15	

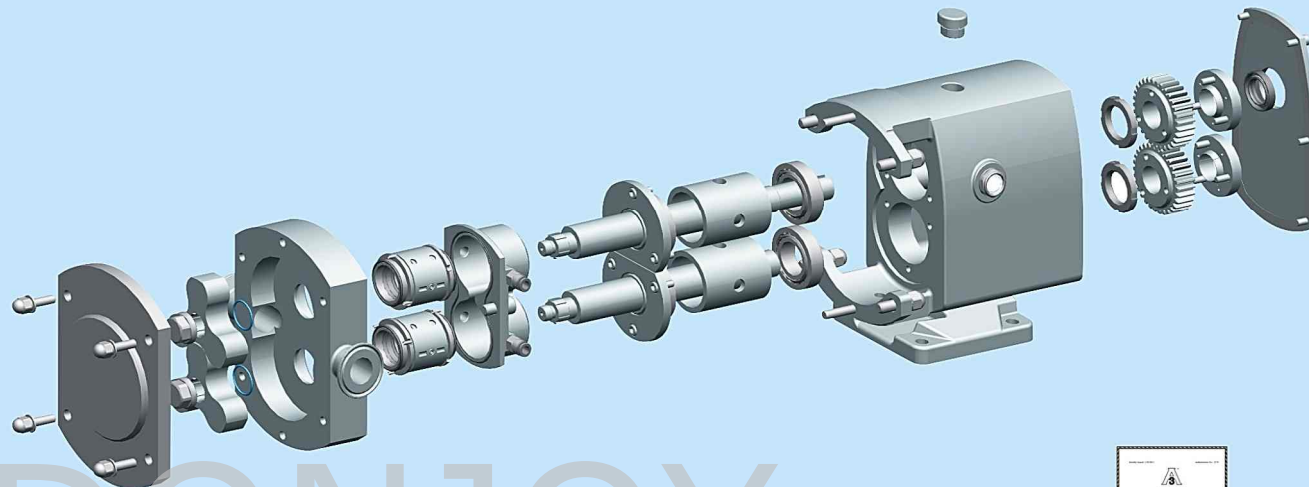


选项

Options

- 机械密封圈: SIC/SIC/EPDM/TC/TC/EPDM
- 水冲洗机械密封圈
- 垫圈(FPM(Viton), NBR, PTFE)
- 安全阀在前盖或者外面的旁路上
- 内置式安全阀
- 带端面保温室
- 全保温室
- 垂直式TUR系列, 水平式TUL系列
- 各种类型的驱动和装置:
 - (1) 手动调节无极调速(标准)
 - (2) 变频电机调速(变频器订购时需说明)
 - (3) 定速比输出(固定转速)
- 连接: 卡箍(DIN32676, 3A, ISO), 螺纹(DIN, SMS, RJT, IDF)对焊, 法兰
- 材质证书(3.1), 表面粗糙证书
- 电机安装型号(B5), 电机频率50HZ, 60HZ
- 电压(V) 220-240, 360-400, 420-460, 630-690

- Mechanical seal: SIC/SIC/EPDM/TC/TC/EPDM
- Flushed single or double mechanical seal
- Gasket: FPM(Viton), NBR, PTFE
- Relief valve at the front cover or external by-pass
- Built-in safety valve
- Surface heat jacket
- Complete heat jacket
- Vertical TUR series or Horizontal TUL series
- Different drives and fixes:
 - (1) Manual adjust Continuously Variable Transmission(Standard)
 - (2) frequency converter adjust motor gear box
 - (3) Fixed speed output transmission
- Assembly on a stainless steel baseplate
- Adjustable feet
- Connections: Clamp (DIN32676, 3A, ISO), Thread(DIN, SMS, RJT, IDF) butt weld, flange
- Material certificates(3.1), roughness certificate.
- Motor type B5, Motor frequency 50HZ, 60HZ
- Voltage(V) 220-240, 360-400, 420-460, 630-690



保温型转子泵

Lobe pump with heat jacket

配置保温室的转子泵广泛应用于输送巧克力, 糖果, 胶基等在常温下凝冻或高温下易变质的物料, 根据工艺要求配备前置保温室或者四周保温室机构。

Lobe pump with heat jacket is widely used in transportation of chocolate, candy, gum, etc. Which materials will freeze at room temperature or perishable materials at high temperatures, according to process requirements, with the front cover or around the heat insulation structure.



水冷却机械密封转子泵

Water-cooled mechanical seal Lobe pump

带冷却装置的转子泵, 适用于高温, 高粘稠, 长时间不停机, 开机时或工作中偶有瞬间缺液工况上较为理想的选择。但一定要注意保持冷却液循环!

Lobe pump with water-cooled mechanical seal is used for high temperature, high viscosity, continue working long hours, it is perfect choice for working condition with intermission of liquid. Be sure to keep cooling water circulation.



冷却液循环进出口
Cooling fluid circulation import and export

■ 多种配置的转子泵

Various configurations of rotor pump



防爆电机转子泵 Lobe pump with explosion-proof motor

- 该泵配置了机械无极变速箱，可通过变速箱的手轮调速器，调节至工况所需要的转速。
- 通过美国3A-02-10认证(1579)，密封符合FDA.177.2600
- It is with manual adjustable gearbox, the speed can be manually adjusted by handwheel in the gearbox according to working condition.
- Pump is 3A approval, 3A certificate No. is 1570, gaskets comply with FDA177.2600.



移动式转子泵 Mobile lobe pump

- 该设计可以满足随时移动抽取各种容器中的各种物料。
- 标准配置：控制台、移动车子带电机、机械无极变速箱。
- 选项：控制台内置变频器，变频电机(其他配置可参考表的选项)
- Mobile lobe pump can move at any time to containers and pump products inside.
- Standard configuration is with console, lockable mobile plate, mechanical available gearbox.
- Option: Console with built-in converter, frequency conversion motor (For more information, Please refer to lobe pump catalogue which you will find under this products)



卫生安全防护型转子泵 Lobe pump with protected cover

- 该泵采用全防护设计，减少了因泵驱动装置不规则引起的死角，该护罩还可以保护人身安全的电机防护。
- The pump is designed with full protection, reducing dead angle due to irregular pump drive. Protective cover can also keep personal safety from motor.



变频无极转子泵 Lobe pump with frequency converter

- 配置斜齿轮变速箱和变频电机，该配置可通过变频器和变频电机连接，可人为编辑，变频器参数达到转速调整，也可通过PLC编程实现自动控制。
- With inclined gearbox and frequency converter motor, the rotary speed can be adjusted by connecting converter and motor, it also automatic controls by PLC programming realization.

法兰料斗进口转子泵 Lobe pump with flange hopper

- 该泵设计有方形法兰料斗和圆形法兰料斗两种，该装置可有效的解决不易流动的物料输送。
- There are two type flange hoppers: Square flange hopper and circular flange hopper. Lobe pump with flange hopper can effectively solve transportation of uneasy flowing liquid.

内置式安全阀转子泵 Lobe pump with built-in safety valve

- 该装置有效的缓解，输送过程中因其他设备故障或管道压力瞬时超过安全值而导致泵故障。
- 特点：当压力超过预设压力时内置安全阀自动打开，也可通过气体强迫打开安全阀。
- 选项：气/气，弹簧/气，压力从1 bar-12 bar
- Lobe pump with built-in safety valve effectively reduced the possibility of pump breakdown due to other equipment's failure causes pipeline pressure exceeding than the safety value during transportation.
- Features: Relief valve automatically opens when the pressure exceeds the set safety pressure. It can also be pneumatic opened.
- Options: air / air, spring / air, pressure from 1Bar-12bar

保温型转子泵 Lobe pump with heat jacket

- 该泵设计有端面保温室、外圈保温室和全保温室三种选项，该泵可以有有效的解决，因温差而导致物料流动不畅、凝固、变质等情况。
- There are three type: periphery heat jacket, surface heat jacket and complete heat jacket. It will avoid freezing, deterioration caused by temperature deference.

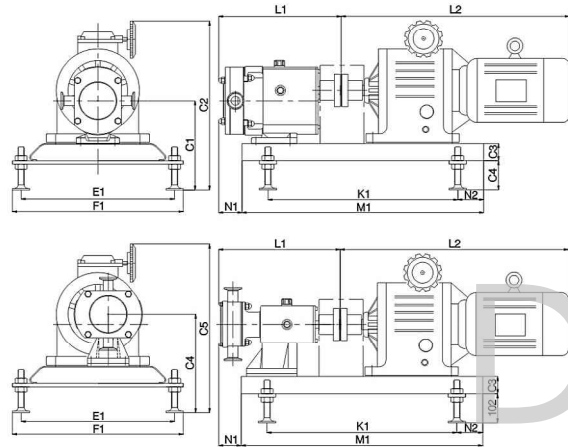
外置安全阀转子泵 Lobe pump with external safety valve

- 该泵可以解决因泵出口管道堵塞或其他的仪器和设备导致压力过高，该装置可以不损失物料的情况下保证管道压力平稳和安全。
- 注意：该装置适用于流动性较好的物料。
- This pump can solve the problem due to congestion of pump outlet or other equipment and facilities which causes too high pressure. The device guarantees the case of no loss of material to keep pressure of pipeline stable and safe.
- Note: this device is applicable to the liquidity good materials.



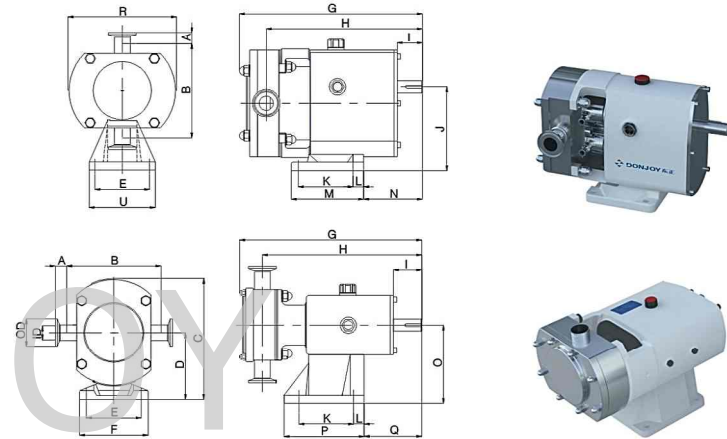
■ 带电机安装尺寸图

Assembly Dimension Drawing with Motor



■ 不带电机安装尺寸图

Assembly Dimension Drawing Without Motor

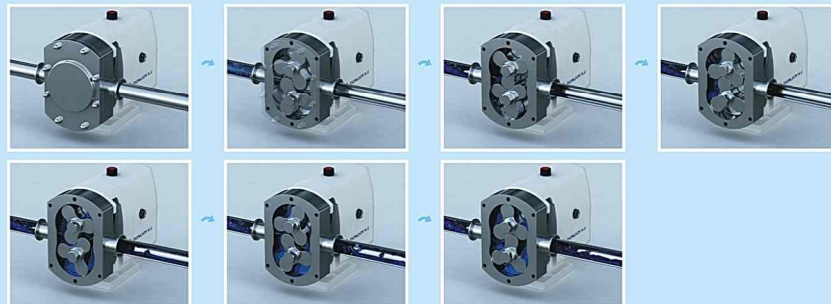


以下表格数据仅供参考，实际尺寸以实物为准。
Attention: Please refer to selection table for details of next page, the size in the following form is the reference value, the actual size is subjected to actual object.

系列 Series	L1	L2	C1	C2	C3	C4	C5	N1	N2	K1	M1	E1	F1
TUL/TUR-20	332	538	302	487	50	294	470	68	75	550	700	445	495
TUL/TUR-23	346	638	302	507	50	294	499	68	75	550	700	445	495
TUL/TUR-25	356	638	302	507	50	294	499	68	75	550	700	445	495
TUL/TUR-30	457	744	338.5	565	50	331.5	558	70	75	670	850	520	570
TUL/TUR-35	465	744	338.5	565	50	331.5	558	70	75	670	850	520	570
TUL/TUR-55	474	784	338.5	565	50	331.5	558	70	75	670	850	520	570
TUL/TUR-60	476	784	338.5	565	50	331.5	558	70	75	670	850	520	570
TUL/TUR-70	584	960	443	690	60	418	665	75	85	750	900	600	650
TUL/TUR-80	587	960	443	690	60	418	665	75	85	750	900	600	650
TUL/TUR-100	606	960	443	690	60	418	665	75	85	750	900	600	650
TUL/TUR-125	633	1020	443	690	60	418	665	75	85	750	900	600	650

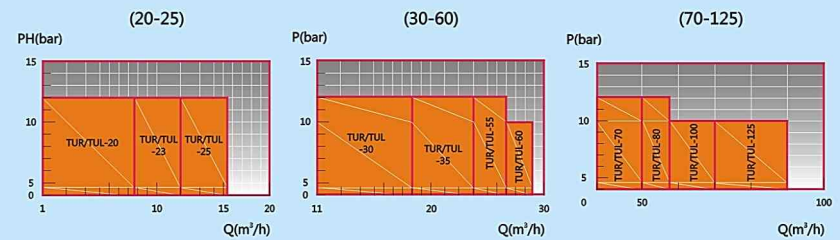
以下表格数据仅供参考，实际尺寸以实物为准。
Attention: Please refer to selection table for details of next page, the size in the following form is the reference value, the actual size is subjected to actual object.

系列 Series	A	C	D	E	F	G	H	I	J	K	L	M	N	O	P	Q	R	U	OD	ID
TUL/TUR-20	184	229	123	100	125	332	293	52	153	100	19	32	107	145	146	105	198	120	50.5	22
TUL/TUR-23	184	229	123	100	125	346	296	52	153	100	19	32	107	145	146	105	198	120	50.5	35
TUL/TUR-25	184	229	123	100	125	356	306	52	153	100	19	32	107	145	146	105	198	120	64	47.5
TUL/TUR-30	214	273	149	125	155	450	392	60	186.5	125	30	181	147	179.5	210	146	234	155	64	47.5
TUL/TUR-35	214	273	149	125	155	462	397	60	186.5	125	30	181	147	179.5	210	146	234	155	77.5	59.5
TUL/TUR-55	214	273	149	125	155	470	402	60	186.5	125	30	181	147	179.5	210	146	234	155	91	66
TUL/TUR-60	214	273	149	125	155	477	406	60	186.5	125	30	181	147	179.5	210	146	234	155	91	72.2
TUL/TUR-70	278	397	221	193	233.5	584	492	103	281	207	33.5	275	161	256	275	119	342	233.5	91	72.2
TUL/TUR-80	278	397	221	193	233.5	587	500	103	281	207	33.5	275	161	256	275	119	342	233.5	106	81
TUL/TUR-100	278	397	221	193	233.5	606	510	103	281	207	33.5	275	161	256	275	119	342	233.5	119	97.4
TUL/TUR-125	278	397	221	193	233.5	633	524	103	281	207	33.5	275	161	256	275	119	342	233.5	144.5	125



转子泵性能曲线图

Performance Curve for TUL/TUR series



转子泵机械无极变速
Mechanical Continuously Variable Transmission Lobe Pump



说明:
 无极变速机: 结构为目前最常用的配备的形式, 配备的是机械摩擦式无极调节器, 利用手动调节的形式实现输出转速的无极调节, 达到无极调节流量的效果。

Description:
 continuously variable transmission, the structure is equipped with the most commonly used form of mechanical friction stepless adjuster, the use of manual adjustment in the form of realization of the output speed stepless adjustment, to regulate flow of stepless effects.

转子泵变频无极变速
Frequency converter Continuously Variable Transmission lobe pump



说明:
 变频器电机变频调速: 该款转子泵配备的变频电机, 利用变频器来调节电动机的频率来改变电机输出的转速, 达到无极调节流量的效果, 其调节转速和流量直观、精确。

Description:
 converter motor frequency adjustment: rotor pump which is equipped with variable frequency motor, using the frequency converter to adjust the motor to change the motor output speed, to regulate flow of stepless effects, its regulation and flow are intuitive and precise.

■ **TUR-TUL系列选型表**

TUR-TUL Series selection table

		50Hz/60Hz N-200-1000Min						
型号 Model		流量(吨) Flow rate(m ³ /h)	压力 (BAR) Pressure	电机功率 (kw) Motor Power	建议转速 (Min-1) Recommend rotate speed	每转排量 (升) Flow per Rotate	每100转 排量(升) Flow per 100 Rotate	进出口规格 Inlet & Outlet Size
TUR-20	TUL-20	1-3	12	1.5kw	200-450	0.137	13.7	1"-DN25
		1-3	9	1.1KW				
		1-3	5	0.75kw				
TUR-23	TUL-23	2-5	12	3.0kw	200-450	0.194	19.4	1.5"-DN40
		2-5	9	2.2kw				
		2-5	5	1.5kw				
TUR-25	TUL-25	3-7	7	4.0kw	200-450	0.273	27.3	2"-DN50
		3-7	4	2.2kw				
		5-10	12	5.5kw				
TUR-30	TUL-30	5-10	8	4.0KW	200-400	0.423	42.3	2"-DN50
		5-10	4	3.0kw				
		6.5-13	10	5.5KW				
TUR-35	TUL-35	6.5-13	7	4.0kw	200-400	0.53	53	2.5"
		6.5-13	3	3.0kw				
		7-14	12	7.5kw				
TUR-55	TUL-55	7-14	9	5.5kw	200-400	0.602	60.2	DN65
		7-14	6	4.0kw				
		7-14	3	3.0kw				
TUR-60	TUL-60	8-16	10	7.5kw	200-400	0.665	66.5	3"
		8-16	7	5.5kw				
		8-16	5	4.0kw				
TUR-70	TUL-70	8-16	3	3.0kw	200-400	1.524	152.4	3"
		15-31	9	7.5kw				
		15-31	5	5.5kw				
TUR-80	TUL-80	20-40	7	7.5kw	200-400	1.583	158.3	DN80
		20-40	4	5.5kw				
TUR-100	TUL-100	25-50	6	7.5kw	200-400	1.956	195.6	4"-DN100
		25-50	3	5.5kw				
TUR-125	TUL-125	31-62	4	7.5kw	200-400	2.487	248.7	5"-DN125

注意: 流量是根据三菱转子计算的结果, 如需其他的转子流量请与东正联系。
 Note: Flow rate is according to 3-leaves rotor, for flow rate of other rotor, Please contact Donjoy for details.

■ **TUR-TUL系列选型表**

TUR-TUL Series selection table

		50Hz/60Hz N-100-1000Min						
型号 Model		流量(吨) Flow rate(m ³ /h)	压力 (BAR) Pressure	电机功率 (kw) Motor Power	建议转速 (Min-1) Recommend rotate speed	每转排量 (升) Flow per Rotate	每100转 排量(升) Flow per 100 Rotate	进出口规格 Inlet & Outlet Size
TUR-20	TUL-20	0.6-3	12	1.5kw	100-450	0.137	13.7	1"-DN25
		0.6-3	9	1.1KW				
		0.6-3	5	0.75kw				
TUR-23	TUL-23	1.1-5	12	3.0kw	100-450	0.194	19.4	1.5"-DN40
		1.1-5	9	2.2kw				
		1.1-5	5	1.5kw				
TUR-25	TUL-25	1.5-7	7	4.0kw	100-450	0.273	27.3	2"-DN50
		1.5-7	4	2.2kw				
		2.6-10	12	5.5kw				
TUR-30	TUL-30	2.6-10	8	4.0KW	100-400	0.423	42.3	2"-DN50
		2.6-10	4	3.0kw				
		3.25-13	10	5.5KW				
TUR-35	TUL-35	3.25-13	7	4.0kw	100-400	0.53	53	2.5"
		3.25-13	3	3.0kw				
		3.5-14	12	7.5kw				
TUR-55	TUL-55	3.5-14	9	5.5kw	100-400	0.602	60.2	DN65
		3.5-14	6	4.0kw				
		3.5-14	3	3.0kw				
TUR-60	TUL-60	4-16	10	7.5kw	100-400	0.665	66.5	3"
		4-16	7	5.5kw				
		4-16	5	4.0kw				
TUR-70	TUL-70	4-16	3	3.0kw	100-400	1.524	152.4	3"
		7.5-31	12	11kw				
		7.5-31	9	7.5kw				
TUR-80	TUL-80	7.5-31	5	5.5kw	100-400	1.583	158.3	DN80
		10-40	10	11kw				
		10-40	7	7.5kw				
TUR-100	TUL-100	10-40	4	5.5kw	100-400	1.956	195.6	4"-DN100
		12.5-50	10	11kw				
		12.5-50	6	7.5kw				
TUR-125	TUL-125	12.5-50	3	5.5kw	100-400	2.487	248.7	5"-DN125
		15.5-62	10	15kw				
		15.5-62	7	11kw				
		15.5-62	4	7.5kw				

注意: 流量是根据三菱转子计算的结果, 如需其他的转子流量请与东正联系。
 Note: Flow rate is according to 3-leaves rotor, for flow rate of other rotor, Please contact Donjoy for details.

转子泵定速比输出
Fixed Speed Output Reducer Lobe Pump



说明：
定速比输出减速机：该结构的转子泵配备的定速比输出减速机，其速度是不可调节的，输出流也是一定的，也不可调节的。其结构特点，扭矩大，对于特别粘稠的物料的输送效果最好。

Description:
Fixed speed output reducer: the structure of the rotor pump is equipped with a fixed speed output transmission, its speed is not regulated, the output flow rate is certain, also can not be adjusted. Its structural characteristics is high torque, perfect for transfer of viscous material.



■ **TUR-TUL系列选型表**

TUR-TUL Series selection table

型号 Model	流量(吨) Flow rate(m ³ /h)	压力 (BAR) Pressure	电机功率 (kw) Motor Power	建议转速 (Min-1) Recommend rotate speed	每转排量 (升) Flow per Rotate	每100转排量 (升) Flow per 100 Rotate	进出口规格 Inlet & Outlet Size
TUR-20	TUL-20	1.5	12	1.5kw	250	0.137	13.7
		1.5	9	1.1KW			
		1.5	5	0.75kw			
TUR-23	TUL-23	2.8	12	3.0kw	250	0.194	19.4
		2.8	9	2.2kw			
		2.8	5	1.5kw			
		3.8	10	4.0kw			
TUR-25	TUL-25	3.8	7	3.0kw	250	0.273	27.3
		3.8	4	2.2kw			
		6.5	12	5.5kw			
TUR-30	TUL-30	6.5	8	4.0kw	250	0.423	42.3
		6.5	4	3.0kw			
		8.2	10	5.5KW			
TUR-35	TUL-35	8.2	7	4.0kw	250	0.53	53
		8.2	3	3.0kw			
		8.9	12	7.5kw			
TUR-55	TUL-55	8.9	9	5.5kw	250	0.602	60.2
		8.9	6	4.0kw			
		8.9	3	3.0kw			
TUR-60	TUL-60	9.8	10	7.5kw	250	0.665	66.5
		9.8	7	5.5kw			
		9.8	5	4.0kw			
		9.8	3	3.0kw			
TUR-70	TUL-70	16.0	12	11kw	200	1.524	152.4
		16.0	9	7.5kw			
		16.0	5	5.5kw			
TUR-80	TUL-80	20.0	10	11kw	200	1.583	158.3
		20.0	7	7.5kw			
		20.0	4	5.5kw			
		25.0	10	11kw			
TUR-100	TUL-100	25.0	6	7.5kw	200	1.956	195.6
		25.0	3	5.5kw			
		32.0	10	15kw			
		32.0	7	11kw			
TUR-125	TUL-125	32.0	4	7.5kw	200	2.487	248.7
		32.0	4	7.5kw			

注意：流量是根据三菱转子计算的结果，如需其他的转子流量请与东正联系。
Note: Flow rate is according to 3-leaves rotor, for flow rate of other rotor, please contact Donjoy for details.

■ **转子泵型号说明**

Model instruction of lobe Pump

TUL 20 1-3t 12bar 1.5kw 380V 50HZ MBW M DN25 D

- 接口标准：DIN(D) SMS(S) 3A(A) RJT(R) ISO/IDF(I)
connection standard: DIN(D), SMS(S), 3A(A), RJT(R), ISO/IDF(I)
- 进出口规格 Inlet & Outlet Size
- 连接方式：螺纹(M) 卡箍(C)
Connection way: threaded(M), Clamped(C)
- 减速机款式：机械无极调速(MBW);
变频电机调速(WR-QA);
定速比输出转速(固定转速)(WR)
Reducer type: Mechanical Continuously Variable transmission(MBW), Converter motor transducer(WR-QA), fixed speed output reducer(WR)
- 电机频率：50HZ ; 60HZ
Motor frequency: 50HZ, 60HZ
- 电压：110V 220V 380V (详见选型表)
Voltage: 110V 220V 380V(refer to selection table)
- 电机功率：1.1Kw 1.5Kw 2.2.....
Motor power: 1.1Kw 1.5Kw 2.2Kw
- 转子泵压力(详见选型表)
Pressure(Refer to selection table)
- 转子泵流量(详见选型表)
Flow rate(refer to selection table)
- 转子泵型号 model
- 转子泵出口方式代码:
TUL水平式(左右进出); TUR垂直式(上进下出)
Lobe Pump Structure Code, Vertical TUR series
(From Up to Down), Horizontal TUL series (Right & Left)

例：TUL-20-1-3-12bar-1.5kw-380V-50HZ MBW- M- DN25- D
Sample:TUL-20-1-3-12bar-1.5kw-380V-50HZ MBW- M- DN25- D